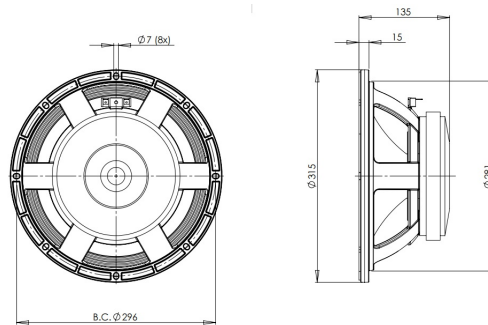


12PE32

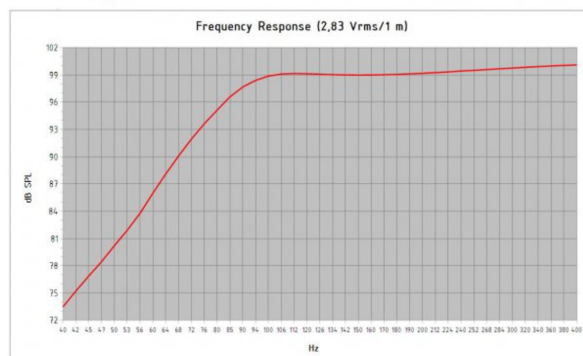
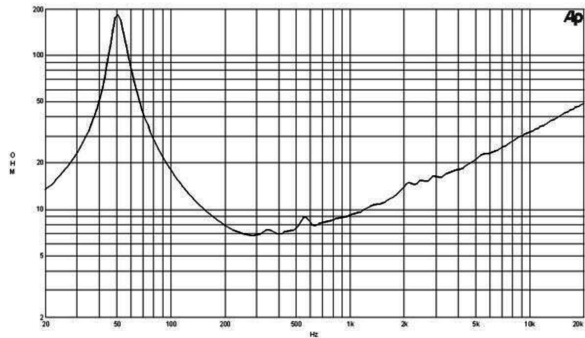
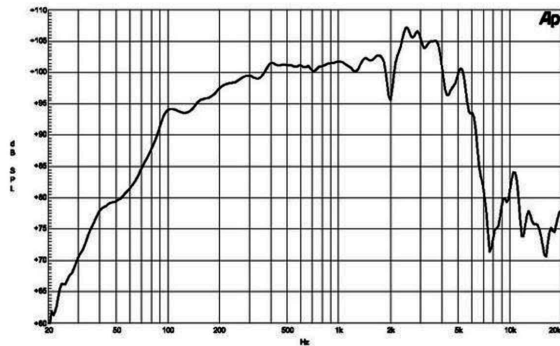
8Ω**LF Drivers** - 12.0 Inches

- 500 W continuous program power capacity
- 64 mm (2.5 in) aluminium voice coil
- 50 - 4000 Hz response
- 101 dB sensitivity



12PE32

LF Drivers- 12.0 Inches



Model: **12 PE 32**
 Enclosure Type: **Bass Reflex**
 Internal Net Volume (Liters): **31**
 Tuning Frequency (Hz): **85**
 Frequency (-3 dB) (Hz): **90.0**
 Port Area (cm²): **138.7**
 Port Length (cm): **7.0**
 Excursion Limited Maximum SPL at 1 meter (dB): **123.7** equal to **238.0** Watts (Bass Band Power Rating)
 Thermal Limited Maximum SPL at 1 meter (dB): **123.9** equal to **250.0** Watts (Mid Band Power Rating)

SPECIFICATIONS

Nominal Diameter	320 mm (12.0 in)
Nominal Impedance	8 Ω
Minimum Impedance	6.7 Ω
Nominal Power Handling ¹	250 W
Continuous Power Handling ²	500 W
Sensitivity ³	101.0 dB
Frequency Range	50 - 4000 Hz
Voice Coil Diameter	65 mm (2.5 in)
Winding Material	Aluminium
Former Material	Glass Fibre
Winding Depth	12.0 mm (0.5 in)
Magnetic Gap Depth	7.0 mm (0.28 in)
Flux Density	1.4 T

DESIGN

Surround Shape	Triple Roll
Cone Shape	Exponential
Magnet Material	Ferrite
Spider	Single
Pole Design	Straight Pole
Woofer Cone Treatment	None
Recommended Enclosure	31.0 dm ³ (1.1 ft ³)
Recommended Tuning	85 Hz

PARAMETERS⁴

Resonance Frequency	51 Hz
Re	5.8 Ω
Qes	0.19
Qms	7.6
Qts	0.18
Vas	101.0 dm ³ (3.56 ft ³)
Sd	522.0 cm ² (80.9 in ²)
η _o	6.8 %
X _{max}	± 2.8 mm
X _{var}	± 5.0 mm
M _{ms}	37.0 g
Bl	19.1 Txm
Le	1.2 mH
EBP	268 Hz

B&C Speakers s.p.a.

Via Poggiomoro, 1 - Loc. Vallina, 50012 Bagno a Ripoli (FI) - ITALY - Tel. +39 055 65721 - Fax +39 055 6572312 - mail@bcspeakers.com

MOUNTING AND SHIPPING INFO

Overall Diameter	315 mm (12.4 in)
Bolt Circle Diameter	296 mm (11.6 in)
Baffle Cutout Diameter	282.0 mm (11.1 in)
Depth	135 mm (5.3 in)
Flange and Gasket Thickness	15 mm (0.59 in)
Air Volume Occupied by Horn	3.1 dm ³ (0.11 ft ³)
Net Weight	7.6 kg (16.7 lb)
Shipping Units	1
Shipping Weight	8.5 kg (18.74 lb)
Shipping Box	360x360x200 mm (14.17x14.17x7.87 in)

SERVICE KIT

Recone kit	RCK012PE328
------------	-------------

1. 2 hours test made with continuous pink noise signal within the range Fs-10Fs. Power calculated on rated minimum impedance. Loudspeaker in free air.
2. Power on Continuous Program is defined as 3 dB greater than the Nominal rating.
3. Applied RMS Voltage is set to 2.83 V for 8 ohms Nominal Impedance.
4. Thiele-Small parameters are measured after a high level 20 Hz sine wave preconditioning test.